



D-025 SB



Underground Air Valve System For Wastewater

Description

The D-025 SB is a complete package that combines the reliable and efficient properties of the A.R.I. D-025 wastewater air valve with the added feature of a sub-surface valve that can be buried below ground.

A specially designed shut-off valve - situated at the base of the D-025 SB assembly allows maintenance from ground level.

The shut-off valve is equipped with a safety mechanism enabling disconnection and removal of the D-025 air valve from its sub-surface housing, even when the system is under pressure.

Since service and maintenance operations of the unit are performed entirely from the surface, there is no need for safety considerations associated with confined space entry.

Features

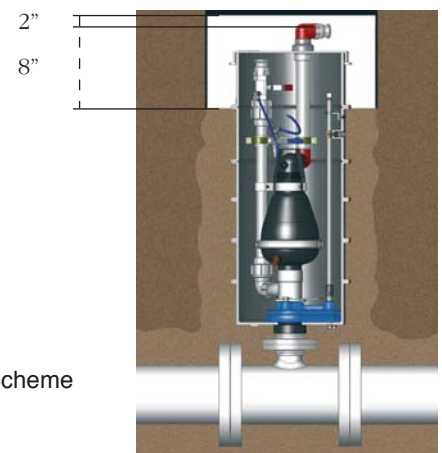
- A combination air valve for wastewater, with a large air/vacuum orifice and a small automatic air release orifice, integrated into one body.
- The air valve's inlet diameter is 3".
- Pipe connections: 3" threaded (BSP/NPT) or flanged, in accordance with BS-10 1947, BS 4504 (DIN-2501), ASA standards.
- The D-025 SB integral, flat, quarter-turn, knife shut-off valve has a 3" full bore passage .
- The shut-off valve is operated from the surface.
- Easy and efficient back flushing, for cleaning, can be achieved while the air valve is in its sub-surface housing.
- All connections are quick connections, to facilitate handling and maintenance operations, flushing (inlet & outlet) connections and adaptor connected to the shut-off valve).
- Safety elements: Disengaging the air valve is safeguarded, unless the shut-off valve is in "closed" position, and the internal pressure is released. It is not possible to extract the air valve.
- All parts are corrosion resistant: Metal parts - made of St.St., Ductile Iron, Composite material parts – made of Nylon, PE, PVC.
- The air valve's body and base are made of reinforced Nylon.
- Working Pressure Range: 3-150 PSI.
- Working Temperature: 140^o f
- Maximum instantaneous working temperature: 194^o f.

Advantages And Benefits

- Relatively light and convenient to install.
- Sub-surface installation.
- **Low installation costs:**
- No need for expensive, large excavation.
- No need for expensive, human-accessible manholes.
- **Low Maintenance costs:** No need for specialized tools or safety equipment.
- One-man operation and maintenance.
- Clean and environmentally friendly.
- Complete service and maintenance system, including an integral disassembly mechanism, to ensure easy back flushing and servicing, while reducing the need for spare, changeable valves.
- **Safe in operation:** Greatly reduced danger of contact with local fauna – Snakes and scorpions etc!
- Entirely operated and maintained from ground level.
- **Reliable and efficient operation:** Dynamic design allows high velocity air discharge, preventing premature closure.
- A.R.I. patented rolling seal mechanism.
- Since the valve is a sub-surface (unde ground), it is more resistant in cold conditions.

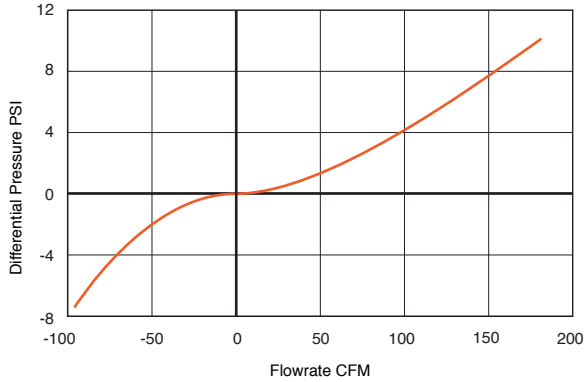
Options

- Two Different installation lengths: 31.5 Inch, 39.5 Inch.
- Air valve made of Reinforced Nylon
- Addition One Way attachments (optional) :
One Way In, One Way Out, Slow release (Anti- Shock).

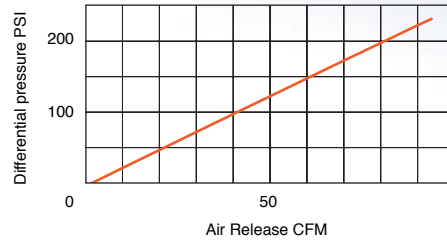


Sample Installation Scheme

AIR & VACUUM FLOWRATE

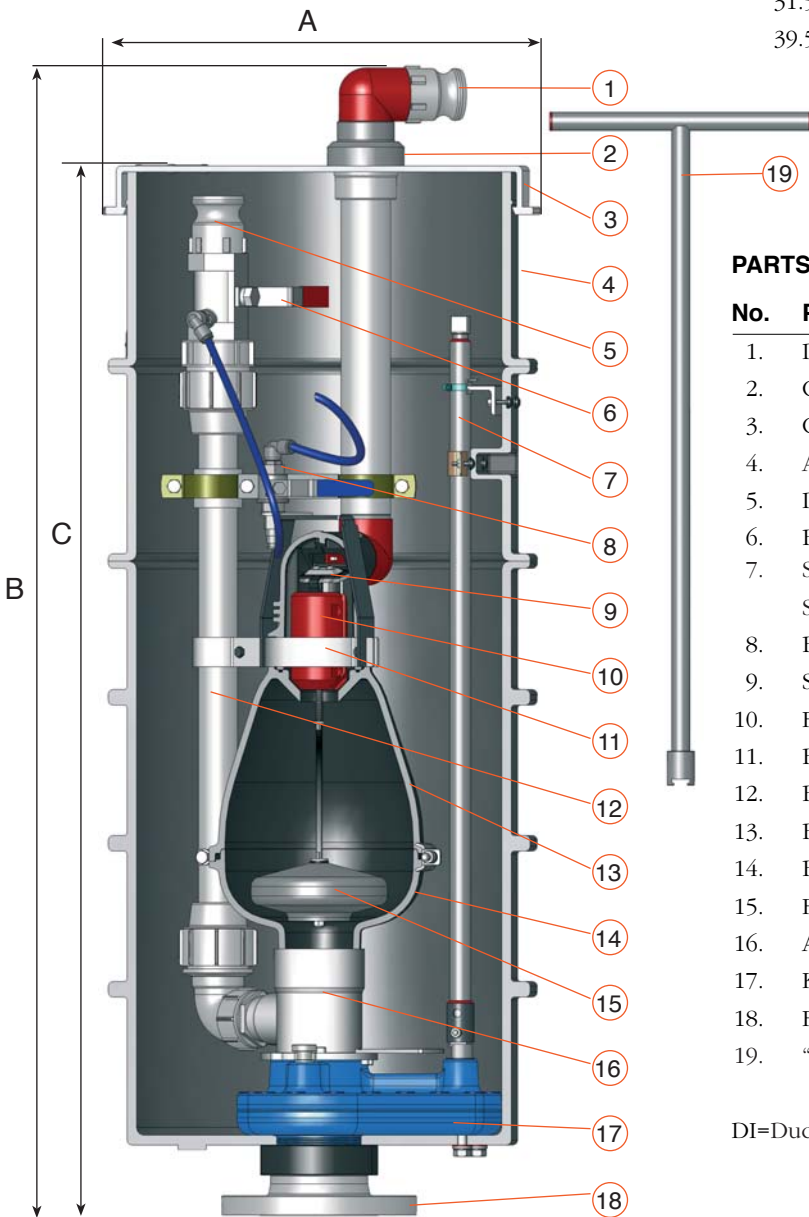


AUTOMATIC AIR RELEASE FLOWRATE



DIMENSIONS

Model	A	B	C	Weight Lbs.
31.5"	17.87"	38.4"	34.5"	84
39.5"	17.87"	43.2"	42.5"	88



PARTS LIST AND SPECIFICATION

No.	Part	Material
1.	Drainage Outlet	Polypropylene
2.	Coupling 1 1/2"	P.V.C.
3.	Cover	Polyethylene
4.	Air valve box	Polypropylene
5.	Drainage Outlet	Polypropylene
6.	Ball Valve 1 1/2" f/f 1/4" Outlet	Stainless Steel SAE 316
7.	Shut-off Valve Extension	
8.	Spindle Assembly	STST SAE 304+P.V.C.
9.	Ball Valve 1/4" f/m	Stainless Steel SAE 316
10.	Seal Plug Assembly	PA+E.P.D.M.+STST
11.	Float	Foamed Polypropylene
12.	Bridge Assembly	STST SAE 304
13.	Back flushing Drainage Assembly	Polyethylene
14.	Body	Reinforced Nylon
15.	Base	Reinforced Nylon
16.	Float	Foamed Polypropylene
17.	Adaptor -Quick Connection	Stainless Steel SAE 304
18.	Knife Shut off Valve 3"	DI+STST+E.P.D.M.
19.	Flange 3"	Reinforced Nylon
19.	"T" Key	Stainless Steel SAE 304

DI=Ductile Iron PA=Reinforced Nylon